



 **PORTAGANTRY**[®]

This product is patented

REIDLIFTING.COM

Our top quality and highly durable **PORTAGANTRY** is lightweight and extremely strong. This portable system can be manually assembled, using just four bolts and can safely lift up to 5000kg, making it the ideal system for multiple applications.

Key features

- EN795:2012 Certified
- ATEX Certified
- Can support goods and personnel lifting;
 - Goods WLL of up to 5000kg
 - Personnel WLL of up to 2500kg
- Suitable for up to 5 persons for fall protection applications
- Beams and A-Frames can be interchanged
- Ergonomic 360° swivel-locking castors, as standard
- Ease of assembly including height and span adjustment
- Anodised for increased corrosion resistance
- Engineered designs and bespoke sections reduce weight, providing lightweight portability

Configurations

The **PORTAGANTRY** is available in a range of configurations and can be customised in line with specific requirements (subject to WLL rating).

The **PORTAGANTRY** has the ability to be moved under load. (Subject to detailed instruction and supervision by a competent person).



**500-5000KG
WLL**



**1-4 PERSON
ASSEMBLY**



**92-294KG
FLAT PACK**



**EN795
CERTIFIED**



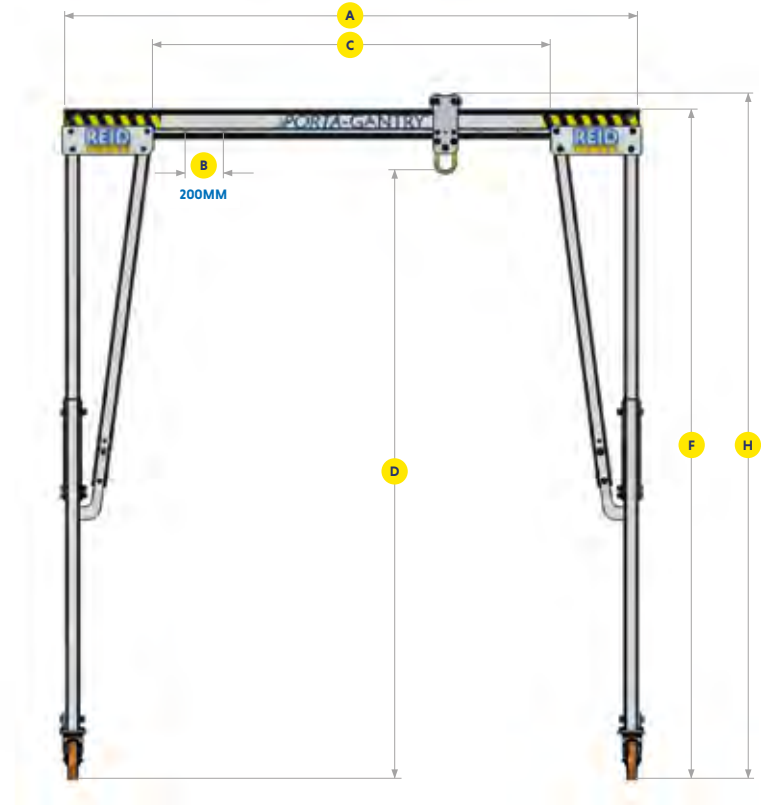
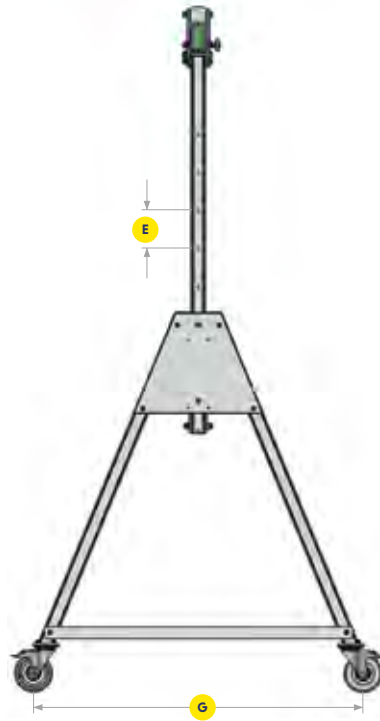
**ATEX
CERTIFIED**

Features & Performance

| | 500 | 1000 | 2000 | 3000 | 5000 |
|---|----------|----------|----------|----------|----------|
| Accreditations, Certifications & Standards | | | | | |
| EN795:2012 | ✓ | ✓ | ✓ | ✓ | ✓ |
| PD CEN / TS16415:2013 | ✓ | ✓ | ✓ | ✓ | ✓ |
| ANSI Z359.18-17 | ✓ | ✓ | ✓ | ✓ | ✓ |
| AS/NZS 5532:2013 | ✓ | ✓ | ✓ | ✓ | ✓ |
| ATEX Certified [Zone 2] | ✓ | ✓ | ✓ | ✓ | ✓ |
| ATEX Certified [Zone 1] | Optional | Optional | Optional | Optional | x |
| IRATA | ✓ | ✓ | ✓ | ✓ | ✓ |
| Capacity | | | | | |
| Maximum Goods Lifting [kg] | 500 | 1000 | 2000 | 3000 | 5000 |
| Maximum Personnel Lifting [kg] | 250 | 400 | 750 | 1000 | 2000 |
| Fall Arrest [Persons] | 3 | 3 | 5 | 5 | 5 |
| Dimensions | | | | | |
| Minimum Height of Lift [mm] | 1605 | 1605 | 1605 | 1660 | 2181 |
| Maximum Height of Lift [mm] | 5829 | 5829 | 5829 | 5527 | 5000 |
| Minimum Available Span [mm] | 2500 | 2500 | 2500 | 2500 | 2500 |
| Maximum Available Span [mm] | 9000 | 9000 | 8400 | 8400 | 5500 |
| Trolley Options | | | | | |
| Standard | ✓ | ✓ | ✓ | ✓ | ✓ |
| Gated | ✓ | ✓ | ✓ | ✓ | x |
| Close Coupled | ✓ | ✓ | ✓ | ✓ | x |
| Gear Driven | ✓ | ✓ | ✓ | x | x |
| Integrated Hoist | ✓ | ✓ | ✓ | x | x |
| Standard Features | | | | | |
| Ratchet Height Adjustment | ✓ | ✓ | ✓ | ✓ | x |
| Gear Height Adjustment | x | x | x | x | ✓ |
| Mechanical aid Assembly | x | x | x | x | ✓ |
| Optional Extras | | | | | |
| Lobed Cheek Plates | ✓ | ✓ | ✓ | ✓ | ✓ |
| Winch Upgrade | ✓ | ✓ | ✓ | ✓ | ✓ |
| Wind Up Jack legs | ✓ | ✓ | ✓ | ✓ | ✓ |
| Trolley Rope Control System | ✓ | ✓ | ✓ | ✓ | ✓ |
| Festoon System | ✓ | ✓ | ✓ | ✓ | ✓ |
| Jointed Beam | ✓ | ✓ | x | x | x |
| Finishes | | | | | |
| Anodised | ✓ | ✓ | ✓ | ✓ | ✓ |
| 316SS Fixings | Optional | Optional | Optional | Optional | Optional |
| Marine Spec | Optional | Optional | Optional | Optional | x |

PORTAGANTRY® 500-5000

- A** Beam length
- B** Beam adjustment
- C** Clear operating span
- D** Height to lifting eye
- E** Height increment
- F** Height to top of beam
- G** Width
- H** Height to top of roller



Standard Beam Length A[mm] (Clear Operating Span C = A - 920 mm)

| A [mm] | 2500 | 3000 | 3920 | 4570 | 5500 | 6000 | 8400 | 9000 |
|-------------|------|------|------|------|------|------|------|------|
| C [mm] | 1580 | 2080 | 3000 | 3650 | 4580 | 5080 | 7480 | 8080 |
| 500 | 19 | 22 | 29 | 34 | 41 | 44 | 62 | 66 |
| 1000 | 19 | 22 | 29 | 34 | 41 | 44 | 79 | 84 |
| 2000 | 19 | 22 | 29 | 34 | 52 | 93 | 130 | × |
| 3000 | 19 | 22 | 37 | 43 | 85 | 93 | 130 | × |
| 5000 | 39 | 47 | 61 | 71 | 85 | × | × | × |

WLL Rating [kg]

Weight of Beams [kg]

PORTAGANTRY® 500-5000

Dimensions [mm]

| WLL [kg] | Frame size [Product Code] | DMax Height to lifting eye | E Height increment | DMin Height to lifting eye | F Height to top of beam | HMax Height to top of roller | HMin Height to top of roller | G Width | A-Frame weight [kg] (approx) | Trolley roller size | Castor Diam |
|----------|---|-------------------------------|-----------------------|-------------------------------|----------------------------|---------------------------------|---------------------------------|------------|------------------------------|---------------------|-------------|
| 500 | PGAS00500S | 2355 | 5 x 150 | 1605 | 2675 | 2757 | 2007 | 1212 | 29 | 82 | 150 |
| | PGAS00500M | 2851 | 5 x 150 | 2101 | 3171 | 3253 | 2503 | 1429 | 37 | 82 | 150 |
| | PGAS00500I | 3188 | 5 x 200 | 2188 | 3499 | 3581 | 2581 | 1726 | 45 | 82 | 200 |
| | PGAS00500T | 4079 | 6 x 200 | 2879 | 4399 | 4481 | 3281 | 2011 | 50 | 82 | 200 |
| | PGAS00500TC4 | 4527 | 6 x 200 | 3327 | 4847 | 4930 | 3730 | 2234 | 77 | 82 | 200 |
| | PGAS00500TC3 | 5027 | 6 x 200 | 3827 | 5347 | 5430 | 4230 | 2557 | 82 | 82 | 200 |
| | PGAS00500TC2 | 5527 | 8 x 200 | 3927 | 5848 | 5930 | 4330 | 2733 | 87 | 82 | 200 |
| | PGAS00500TC1 | 5829 | 9 x 200 | 4029 | 6149 | 6231 | 4431 | 2733 | 90 | 82 | 200 |
| 1000 | PGAS01000S | 2355 | 5 x 150 | 1605 | 2675 | 2757 | 2007 | 1212 | 29 | 82 | 150 |
| | PGAS01000M | 2851 | 5 x 150 | 2101 | 3171 | 3253 | 2503 | 1429 | 37 | 82 | 150 |
| | PGAS01000I | 3188 | 5 x 200 | 2188 | 3499 | 3581 | 2581 | 1726 | 45 | 82 | 200 |
| | PGAS01000T | 4079 | 6 x 200 | 2879 | 4399 | 4481 | 3281 | 2011 | 50 | 82 | 200 |
| | PGAS01000TC4 | 4527 | 6 x 200 | 3327 | 4847 | 4930 | 3730 | 2234 | 77 | 82 | 200 |
| | PGAS01000TC3 | 5027 | 6 x 200 | 3827 | 5347 | 5430 | 4230 | 2557 | 82 | 82 | 200 |
| | PGAS01000TC2 | 5527 | 8 x 200 | 3927 | 5848 | 5930 | 4330 | 2733 | 87 | 82 | 200 |
| | PGAS01000TC1 | 5829 | 9 x 200 | 4029 | 6149 | 6231 | 4431 | 2733 | 90 | 82 | 200 |
| 2000 | PGAS02000S | 2355 | 5 x 150 | 1605 | 2675 | 2757 | 2007 | 1212 | 32 | 82 | 150 |
| | PGAS02000M | 2851 | 5 x 150 | 2101 | 3171 | 3253 | 2503 | 1429 | 37 | 82 | 150 |
| | PGAS02000I | 3188 | 5 x 200 | 2188 | 3499 | 3581 | 2581 | 1726 | 45 | 82 | 200 |
| | PGAS02000T | 4079 | 6 x 200 | 2879 | 4399 | 4481 | 3281 | 2011 | 50 | 82 | 200 |
| | PGAS02000TC4 | 4527 | 6 x 200 | 3327 | 4847 | 4930 | 3730 | 2234 | 77 | 82 | 200 |
| | PGAS02000TC3 | 5027 | 6 x 200 | 3827 | 5347 | 5430 | 4230 | 2557 | 82 | 82 | 200 |
| | PGAS02000TC2 | 5527 | 8 x 200 | 3927 | 5848 | 5930 | 4330 | 2733 | 87 | 82 | 200 |
| | PGAS02000TC1 | 5829 | 9 x 200 | 4029 | 6149 | 6231 | 4431 | 2733 | 90 | 82 | 200 |
| 3000 | PGAS03000S | 2410 | 5 x 150 | 1660 | 2730 | 2812 | 2062 | 1212 | 48 | 82 | 200 |
| | PGAS03000M | 2906 | 5 x 150 | 2156 | 3226 | 3308 | 2558 | 1429 | 53 | 82 | 200 |
| | PGAS03000I | 3188 | 5 x 200 | 2188 | 3499 | 3581 | 2581 | 1726 | 66 | 82 | 200 |
| | PGAS03000T | 4079 | 6 x 200 | 2879 | 4399 | 4481 | 3281 | 2011 | 72 | 82 | 200 |
| | PGAS03000TC4 | 4527 | 6 x 200 | 3327 | 4847 | 4930 | 3730 | 2234 | 77 | 82 | 200 |
| | PGAS03000TC3 | 5027 | 6 x 200 | 3827 | 5347 | 5430 | 4230 | 2557 | 82 | 82 | 200 |
| | PGAS03000TC2 | 5527 | 8 x 200 | 3927 | 5848 | 5930 | 4330 | 2733 | 87 | 82 | 200 |
| | PGAS03000TC1 | 5829 | 9 x 200 | 4029 | 6149 | 6231 | 4431 | 2733 | 90 | 82 | 200 |
| 5000 | PGAS05000I | 3181 | 5 x 200 | 2181 | 3592 | 3717 | 2717 | 1736 | 88* | 125 | 200 |
| | PGAS05000T | 4049 | 6 x 200 | 2849 | 4487 | 4612 | 3412 | 2021 | 99* | 125 | 200 |
| | PGAS05000TC4 | 4500 | 6 x 200 | 3300 | 4938 | 5062 | 3862 | 2234 | 90 | 125 | 200 |
| | PGAS05000TC3 | 5000 | 6 x 200 | 3800 | 5438 | 5562 | 4362 | 2557 | 95 | 125 | 200 |
| | S & M versions also available as custom systems WLL 5000kg dimensions systems are shown using the deeper 'D' section beam | | | | | | | | | | |

Dimensions use standard Master Link Trolley, other options available to increase resulting height of lift (HoL) and to assist with load movement. *Weight includes stabiliser legs

All information herein is copyright protected by REID Lifting Ltd. All company and product names are Trade Mark and Trade Name protected and all REID Product IPR is protected under Patents, Patents Pending and/or Design Rights.

 Printed using environment friendly processes and materials.

REID Lifting
Unit 1 Wyeview,
Newhouse Farm Ind. Estate
Chepstow, Monmouthshire
NP16 6UD UK

 +44 (0)1291 620 796
 +44 (0)1291 626 490 (Fax)
 enquiries@reidlifting.com
 www.reidlifting.com